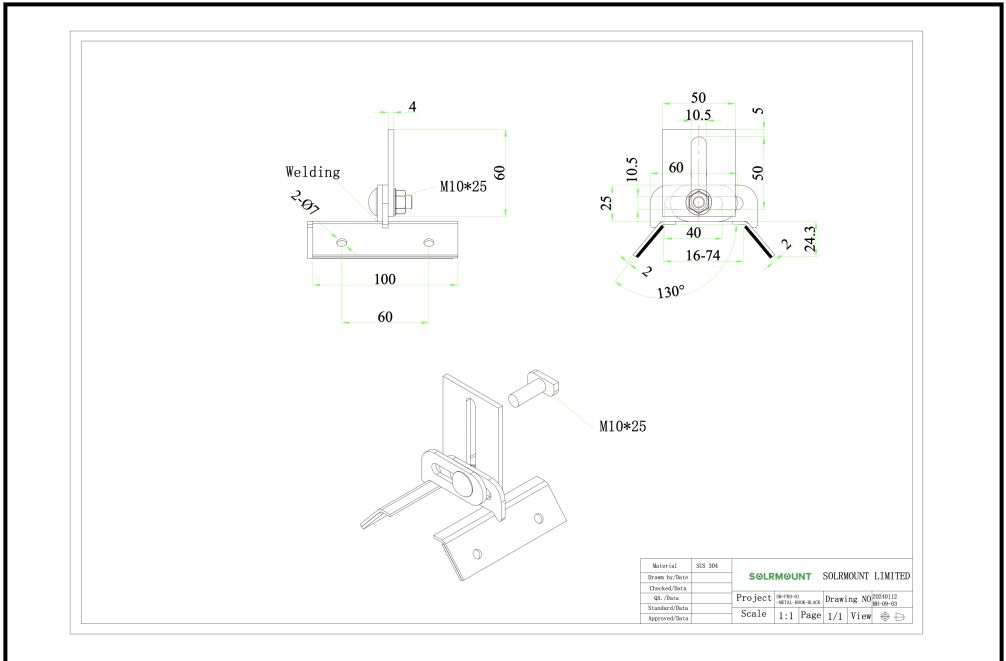


SOLRMOUNT

Create Innovate Optimise

Component SM-PRO-01-METAL-HOOK-BLACK



Technical Specification

Roof application	Pitch roof
Dimensions	W100 mm
Weight	Theoretical weight
Colour	Black electrophoresis
Material	SUS304
Wind speed	<60m/s
Snow load	<1.4kn/m ²
Standards	GB50797/AS NZS1170.2-2011 EN1991, ASCE7-10 JIS C 8955

